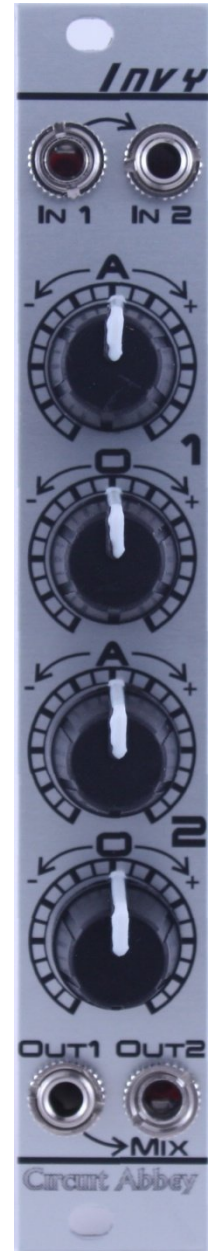


Invy

User Manual



Circuit Abbey

Invy Description

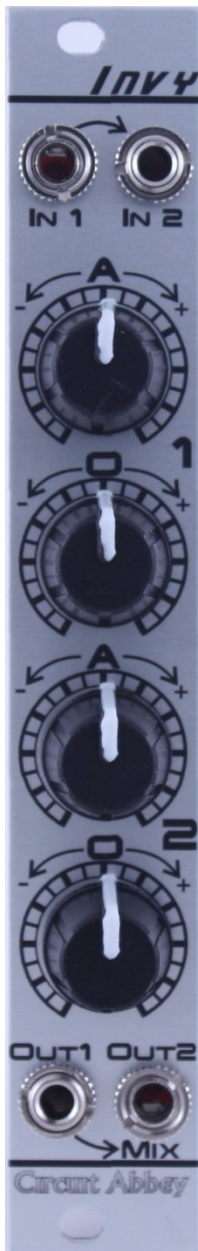
The Invy is a two channel attenuveter – offset module with input normalling and output summing.
This configuration

Invy Features:

- 2 channels of attenuverter-offset
- Normalled inputs
- Output summing
- Channels have a gain of 2
- 4HP, depth=37mm, 20mA power draw

Front Panel Interface:

Invy



In 1: Channel 1 input. Normalled to channel 2.

In 2: Channel 1 input.

A: Attenuator for channel 1

O: Offset for channel 1

A: Attenuator for channel 2

O: Offset for channel 2

Out 1: Channel 1 Output. Sums to channel 2.

Out 2: Channel 2 Output.

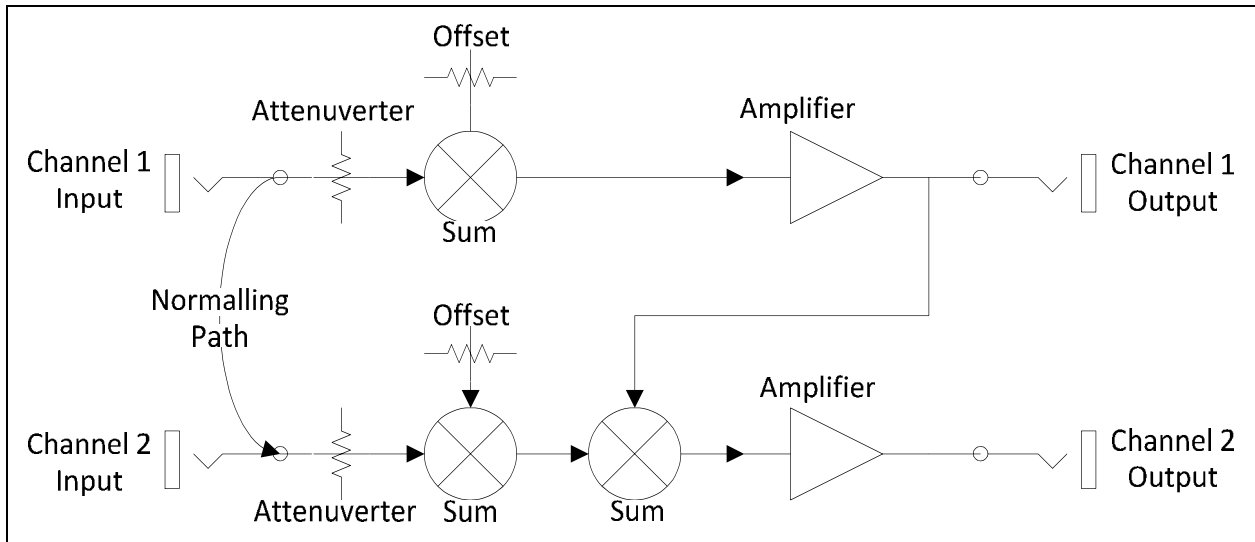
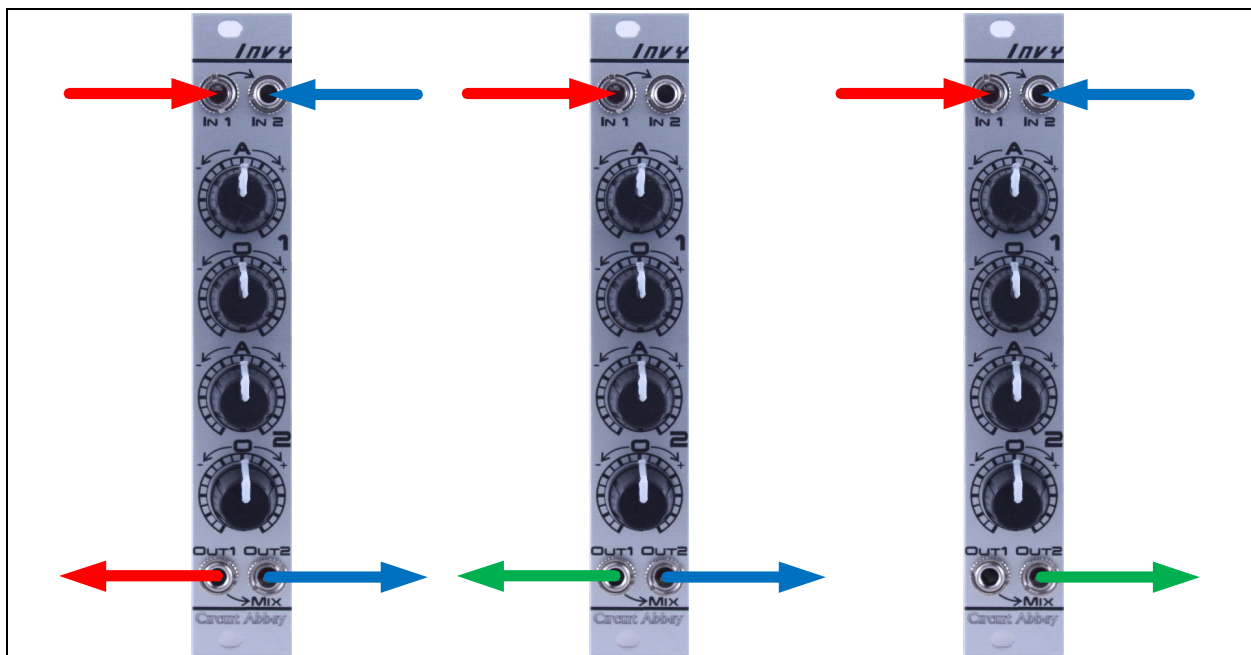


Figure 1: Invy Block Diagram

Figure 2: Configurations



Straight 2-channel operation:

Each channel is independent and has an attenuverter and an offset.

Input Normalling operation:

One input routes to both channels.

Output summing operation:

Each channel is summed together and appears at Out 2.

Module Width	4HP (20mm)
Module Depth	37mm
Power Connector	Standard Doepfer 10 pin
Power Requirements	± 12 Volts at 20mA Max
Input Impedance	20K Ohms
Output	Short circuit protected